

CleanStar® C60 HPW 1/2" and 3/4"

Ultra pure PFA diaphragm valve 2/2 way, pneumatically operated

Medium: Cleanstar® valves have been designed for use in Chemical Dispense Units (CDUs) and their distribution systems. The weir seat design of the CleanStar® makes it ideal for Chemical Mechanical Planerization (CMP) slurries. CleanStar® valves have also been used to support Control Nitrogen applications within these systems. This valve will seal in both directions up to maximum working pressure.

Connections: see below

Working pressure: 90 PSI (max. 6 bar constant upstream)

Working temperature: max. 90°C (194°F)

Control pressure: 60 - 100 PSI, 4 - 7 bar

C_v-values: see below

Materials: all wetted parts PFA,
TFM (diaphragm),
exterior actuator parts in PVDF

C60: Maintenance-free piston actuator

Optional flow direction

Compact construction

Control Pressure (PSI)		Connection
Control Function 1	2 + 3	
100	60	G 1/8"

Note: Actual valve performance may vary as temperature and pressure change

Size		OD	DN	C _v value gal./min*	Connections	Ref. no.
Ref. no.						
8	1/2" tubing	0.500" (12,70 mm)	10	2.5	Flare connection	75 and 77
12	3/4" tubing	0.750" (19,05 mm)	15	4.7	Flare connection	75 and 77
8	1/2" pipe	0.840" (21,34 mm)	15	3.7	IPS welded spigot connection	30

* with water at 68° F, Δ p = 1 psi

How to order

C60 / Z8 / D / 75 / 30 / 5A / 1 / HPW

Type

Space Saver Option

Z - Axis
S - X+Z Axis

Size

8 1/2" tubing, DN 10
8 1/2" pipe, DN 15
12 3/4" tubing, DN 15

Body configuration

D Straight through body
T T-Valve body

Body material

30 PFA

Operation

- 1 Normally closed
- 2 Normally open
- 3 Double acting

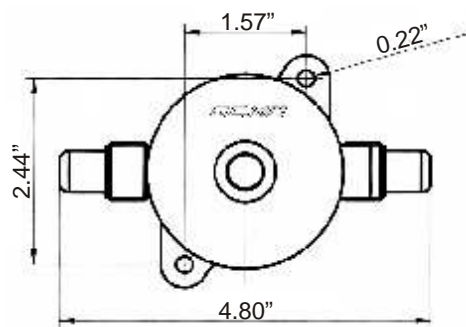
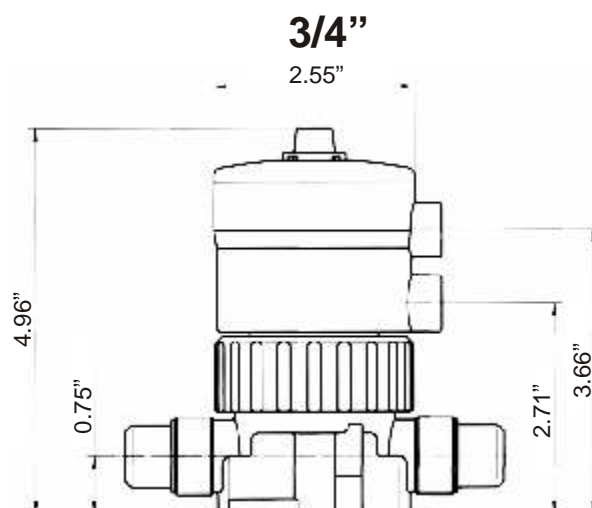
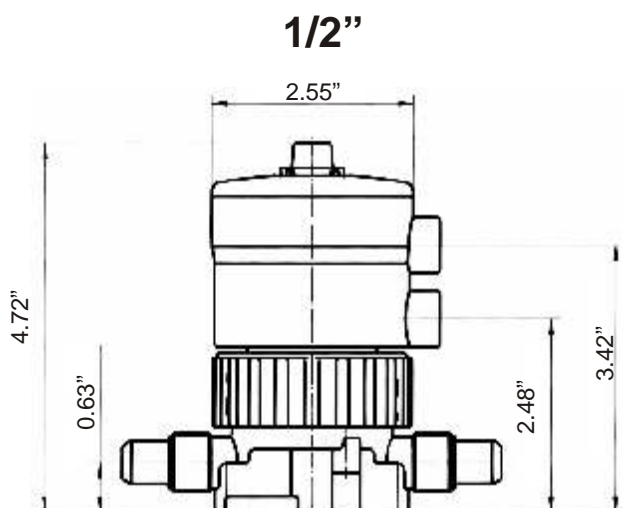
Diaphragm material

5A TFM

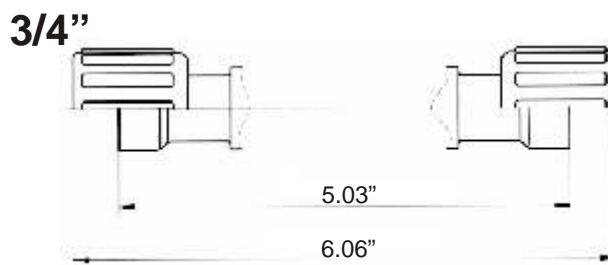
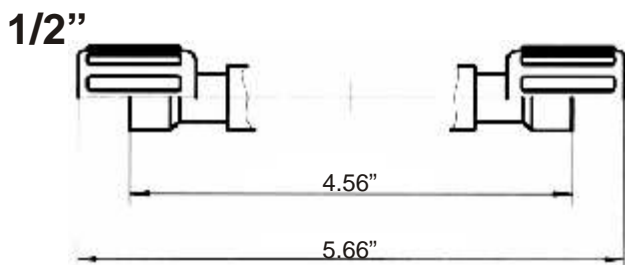
Connections

- 75 Flare connection with PVDF nut
77 Flare connection with PFA nut
30 IPS welded spigot connection

Dimensions: Connections (ref. no. 75 and 77)



Space saver (pos. Z or S)



IPS welded spigot connections

