

CleanStar® C60/C67 HPW PFA T-body 3/8" Branch

Ultra pure PFA diaphragm valve 2/2 way, manually operated (C67) and pneumatically operated (C60) with zero deadleg PFA T-valve body

- T-body design minimizes “dead legs” reducing “chemical holdout” and rinse times.
- Eliminates the need for tee fittings, reducing associated pressure loss and overall cost of installation.
- Requires less mounting space, ideal for compact distribution boxes

Control Pressure (PSI)		Connection
Control Function 1	2 + 3	
100	60	G 1/8"

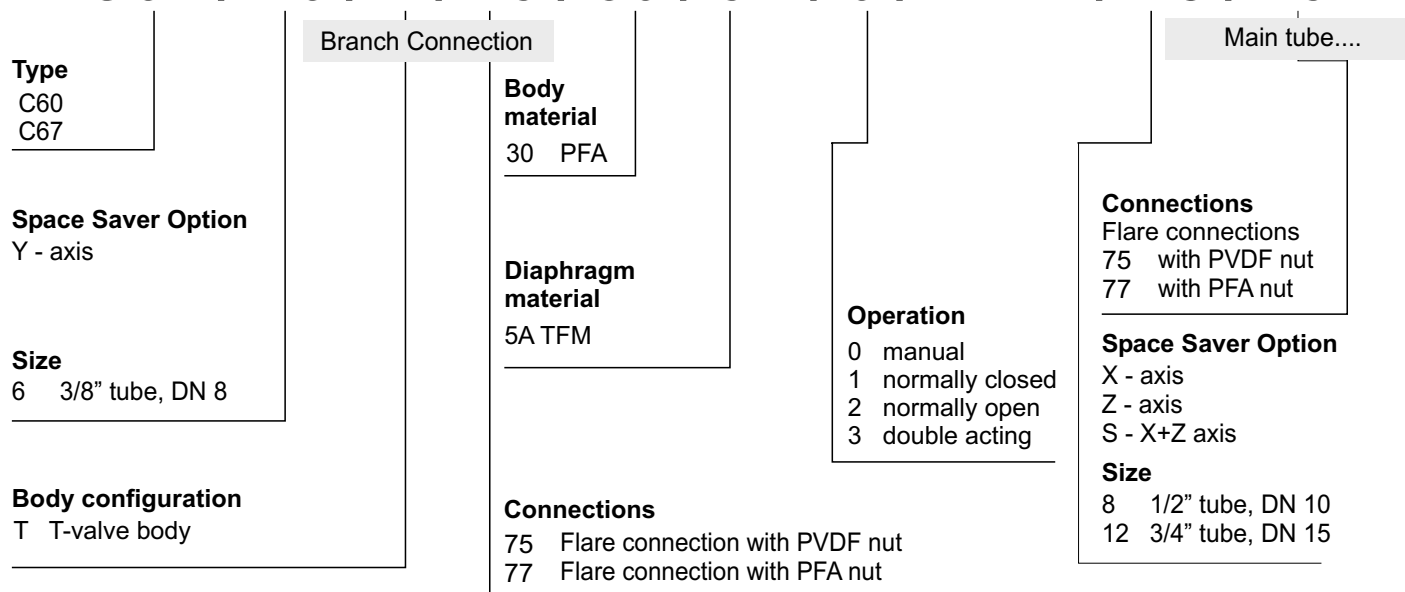
Technical details refer to data sheet C60/C67 with straight through body.

Main tube				Branch/Valve				Cv-Value (gal/min)*
Ref. no.	Size	Connections	Ref. no.	Ref. no.	Size	Connections	Ref. no.	
12	3/4" tube	Flare-connection	75 a. 77	6	3/8" tube	Flare-connection	75 and 77	1.3
8	1/2" tube	Flare-connection	75 a. 77	6	3/8" tube	Flare-connection	75 and 77	1.3

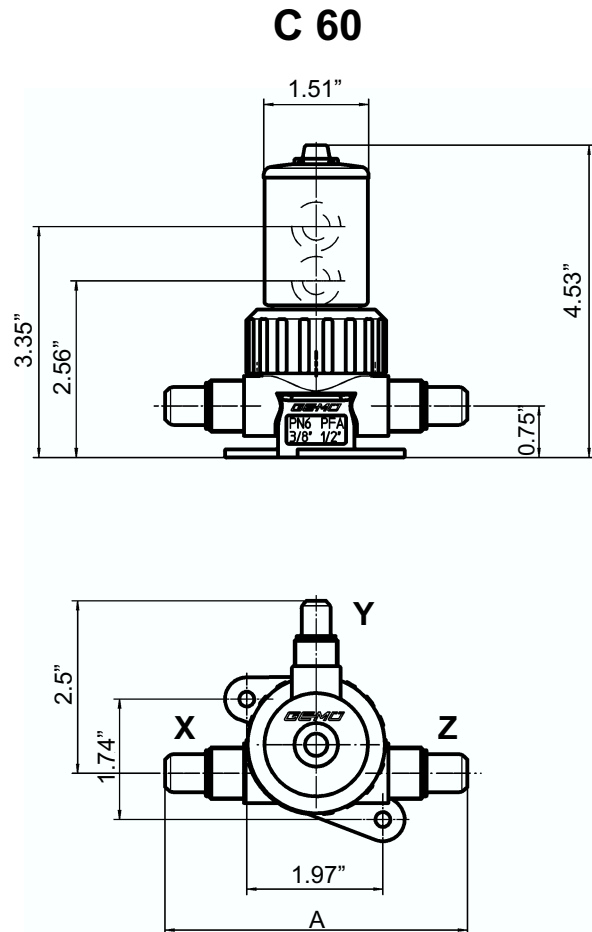
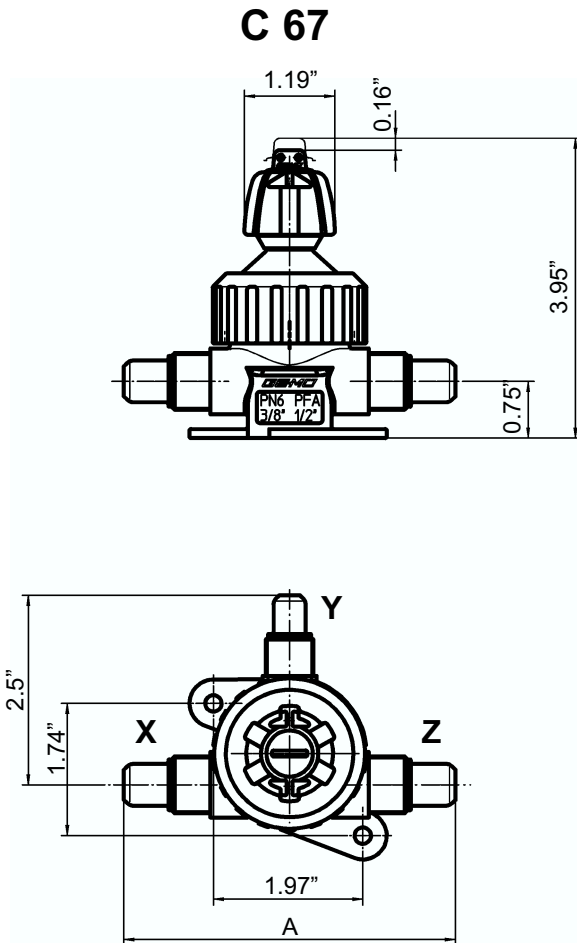
* with water at 68° F, Δ p = 1 psi

How to order

C67 / Y6 / T / 75 / 30 / 5A / 0 / HPW / X8 / 75



Dimensions: Connections (ref. no. 75 and 77)



End to End Dimensions

Size	A	B
1/2" x 3/8"	4.37"	5.19"
3/4" x 3/8"	4.49"	5.65"

Space saver (pos. X, Y or Z)

